

Brackley Soapbox Derby

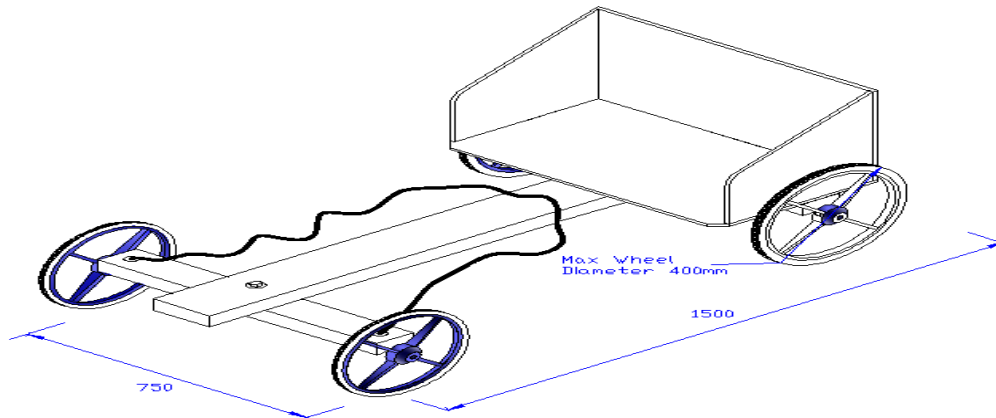
Sunday 6th June 2010 – 12 noon Kart Inspection - 2pm Racing starts Entry Rules

These rules are in the interest of safety of competitors and the viewing public alike and must be observed. Any entry not adhering to the rules will not be allowed to compete.

Soapbox Karts

- . Chassis, with the exception of the running gear (wheels and steering), **Wood** MUST be the major component. No totally steel chassis will be permitted.
- . Covers may be attached to the chassis, but must be considered safe on inspection.
- . Materials that might shatter on impact must be avoided. Eg fibreglass, hard plastics etc.
- . No exposed sharp corners or edges will be allowed, if considered unsafe.
- . The fitment of brakes is not compulsory, but strongly advised.
- . No part of the Kart will be allowed outside of the measurements shown below. These are maximum sizes and must be observed. Karts may be built with smaller dimensions.
- . Karts to have: 3 wheels minimum, 4 wheels maximum of the maximum size shown below.
- . A Kart may be entered in the competition only once.
- . Karts to be made available by 12noon on the race day for “Rule and Safety” checks
- . Kart numbers and running order will be given on race day, subject to above.

Note: The Organisers will have the right to refuse entry, or withdraw entry of any Kart or Driver, if in their opinion, they pose a threat to either themselves, or others.



- . **Length: 1500mm. max. Width: 750mm. max. Wheels: 400mm. Diameter max.**

Race Categories (Two)

- . Under 15yrs (Three or Four wheels). . Adult (over 15yrs) (Three or Four wheels).

Drivers

- . Drivers must wear helmets on the head with chin strap secured.
- . Drivers legs and arms must be covered and the wearing of gloves is advised.
- . Drivers must ride kart in a seated position facing forward.
- . Adult drivers (over 18yrs) must sign and hand in a waver form on registration.
- . Junior drivers (under 18yrs) must hand in a waver form on registration, signed by parent or guardian.

Race

- . The Event will be limited to 30 entries. Entries will be excepted on a “first come and paid” basis.
- . Karts start from a starting ramp. On release, will free wheel to finish line. No push is used.
- . Each entry must complete three runs, if able, and each run will be timed electronically.

Prizes

- . 1st, 2nd and 3rd placed drivers in each of the two categories will receive trophies, or medals.
- . Final positions in each category will be determined by the total time taken for all three runs.